

# DAILY

## TECHNICAL DESCRIPTION NEW DAILY 4x4



---

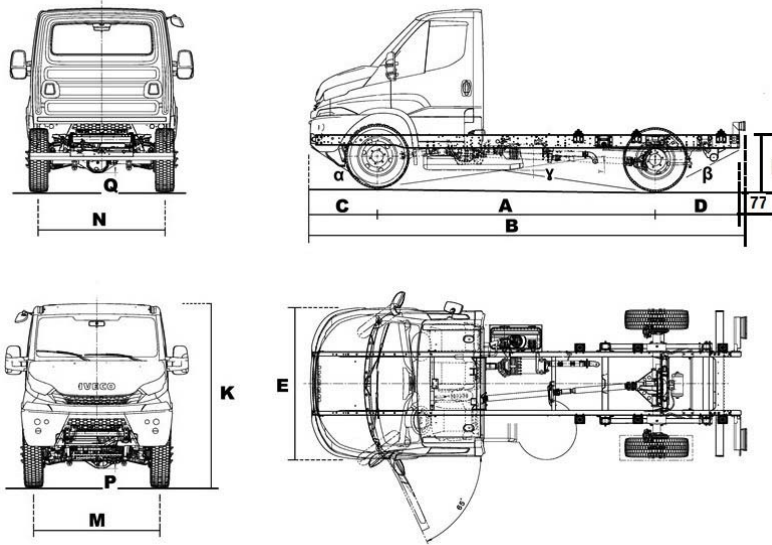
70S15E3A8 WX - Chassis cab

---

**IVECO**

Your partner for sustainable transport

## 70S15E3A8 WX



WEIGHTS (kg.)	G.V.W.	G.C.W.	Front Axle	Rear Axle
Design weights	7000	10500	2700	5000
<b>KERBWEIGHTS (kg.) cab/wb</b>	<b>3480</b>	<b>3780</b>	<b>4175</b>	
Front axle	1885	1848	1900	
Rear axle	983	1030	1000	
Total	2868	2878	2900	

**Notes :**

**Wheelbase 4175mm Standard.**

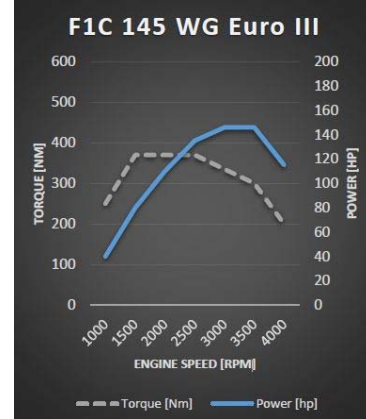
Weights are standard configuration and include: chassis cab, driver ( 75 Kg.), full fuel tanks, oils, tools kit and spare wheel ( when present ).

DIMENSIONS (mm)		3480	3780	4175
A	Wheelbase	3480	3780	4175
B	Overall length	5348	5853	6818
C	Front overhang	928	928	928
D	Rear overhang	940	1145	1715
E	Max width over wings	2056	2056	2056
F	Front axle to back of cab			
H	Front axle to front of body	1490	1490	1490
K	Overall height	2508	2506	2501
L	Frame height at rear frame end	872	872	882
M	Front track	1725	1725	1725
N	Rear track	1713	1713	1713
P	Ground clearance (front)	263	263	263
Q	Ground clearance (rear)	225	225	225
	Frame thickness	5	5	5
	Turning diameter kerb/kerb	14100	14900	16100
	Turning diameter wall/wall	14600	15600	16900

TYRES AND WHEELS	Code	Mission	Tyre dimensions		Load index
			Front	Rear	
Standard	20112		265/70R19,5	265/70R19,5	

## 70SI5E3A8 WX

<b>ENGINE</b>	<b>FICE0489EIII - FPT Industrial</b>
Aspiration type	TC+AFTERCOOLER
Cylinders	4, IN-LINE
Total displacement	2998 CC
Bore x Stroke	95.8 mm x 104 mm
Maximum power	107 kW (145 HP) at 3500 rpm
Maximum torque	350 Nm at 1500 rpm
Engine Brake Power	\ kW at null rpm
Emission level	Euro 3
Cooling fan	electromagnetic
Injection type	Unijet common rail - 16 valves
Speed limiter	100 km/h
Cruise control	Standard



<b>GEARBOX</b>	<b>AUTOMATIC 8HP70L</b>
1 <sup>st</sup>	4.696
3 <sup>rd</sup>	3.130
2 <sup>nd</sup>	2.104
4 <sup>th</sup>	1.667
5 <sup>th</sup>	1.285
6 <sup>th</sup>	1
7 <sup>th</sup>	0.839-O.D
8 <sup>th</sup>	0.667-D.O.D
Rev.	3.297

**PERFORMANCE** (with 265/70R19,5 tyres)

<b>Type: 8HP70L</b>		
Axle ratios available	5.13	5.857
Geared speed (km/h)	163.78	143.46
Gradeability % @ 7 t	26.38	30.57

**TRANSFER BOX**  
Model:TC400  
OFF ROAD Low Ratio:2.15  
OFF ROAD Normal Ratio:0.99  
Notes:

All wheel drive: permanent  
Percentage of torque distribution - front: 50  
Percentage of torque distribution - rear: 50  
PTO prearrangement.  
It is possible to manage the activation of the PTO independently off the axles motion.  
• The PTO can work also with the vehicle in motion.  
• There is a specific switch on the base of the driver seat that manages the motion transmission to axles.

**SUSPENSION**  
**Front:** Independent suspensions / Double wishbone with torsion bar + reinforced stabilizer bars ( Ø 22 mm ).  
**Rear:** Parabolic suspensions / No. of leaves : 3 + reinforced stabilizer bars ( Ø 28 mm ).

**BRAKES**  
ESP 9.1 with off road mode  
Front (diam. x thick.): 301x30 ventilated  
Pads: 2 x 60 mm  
Surface: 202 cm<sup>2</sup>  
Rear (diam. x thick.): 306x28 ventilated  
Pads: 2 x 48 mm  
Surface: 138 cm<sup>2</sup>

**Differential locks:**  
Standard: front, transversal (central), rear.

**Bull bar:**  
Available as an option for chassis cab, crew cab and van versions.

**Winch on front:**  
Available as an option.

**Exhaust pipe:**  
Standard: central. Available as options, depending on different versions: LH side, LH Rear, vertical, rear.

**AXLES**  
Front: 5917 - Drive axle  
Rear: 4517/3 - Drive axle

**ELECTRICS**  
Batteries capacity:12V / 110 Ah

**FUEL TANK**  
90 Litres

**CAB INTERIOR**  
**Equipment:**  
Greater glass area for improved visibility. Storage compartments with bottle holder, pool cup for mobile phone, arm rests on the doors, shelves in overhead console, shelves at floor level below seats, interior lights, 2 spotlights, 4 loud-speakers, gearshift lever on dashboard.

**Driver's and Passenger's seat:**  
3 degree heated suspended adjustable seat with lumbar adjustment.  
**Floor:**  
Covered with rubber mats.

**Central console:**  
Glove box compartments on the top of the dashboard, central panel, adjustable air vents, heating control, cooled compartment (with manual air conditioning).

**Indicator lamps, on cluster:**  
Parking brake - Brakes failure - Directions indicators - Generic failure - Seat belts not fastened - Fog lights - High beams - Wing lights - External lights failure - Rear fog light(s) - Open doors - Fuel gauge - Tachograph failure - Coolant temperature - EOBD - Water in fuel filter- Clogged air filter -Clogged fuel filter.

**Multifunction stalks:**  
(Left) direction - Wing / Highbeam / Lowerbeam - Headlamp flash - Horn - Front fog lights (right). Equipped with DRL (Daytime Running Lights). For more safety "side light / parking light" switch on automatically at every Key ON, so that the vehicle is more visible by daytime, too. The driver cannot by any means switch them off. Windscreen wiper with intermittent wipe. Steering wheel with secure and comfortable grip (diameter 390 mm / inclination 42 degrees).

**Multifunction's steering wheel:**  
The new steering wheel allows the control of vehicle functions: Radio that has (FM/AM, CD, MP3, Aux & Bluetooth) with Steering wheel controls - Cluster Menu. The new steering wheel contains 20 switches: 16 on the front and 4 on the rear. Five Cruise Control switches.

**CAB EXTERIOR**  
Close proximity mirror on passenger's side, steps on both sides, front bumper, mudguard. Handles on both sides, handle on A-pillar, rear underrun protection, spare wheel, rear lights crossbar. Anti-corrosion protection includes full cathaphoretic dipping with galvanized boxed sections and strategic use of zinc plated panels in vulnerable areas. Protective under seal for all under body cabin area, wheel housing and engine area.



[WWW.IVECO.CO.ZA](http://WWW.IVECO.CO.ZA)

**IVECO**

Your partner for sustainable transport